

PL3

### FEATURES

※Multi function (Push & Lever)

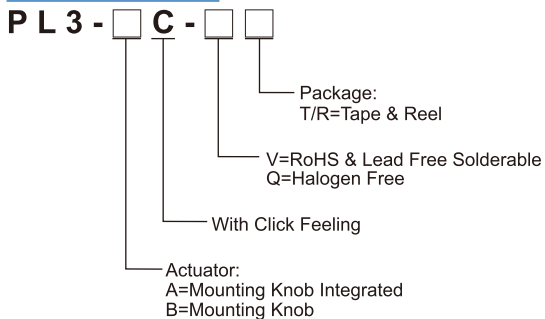
### APPLICATION

※Remote controls  
 ※Volume control for variety of applications

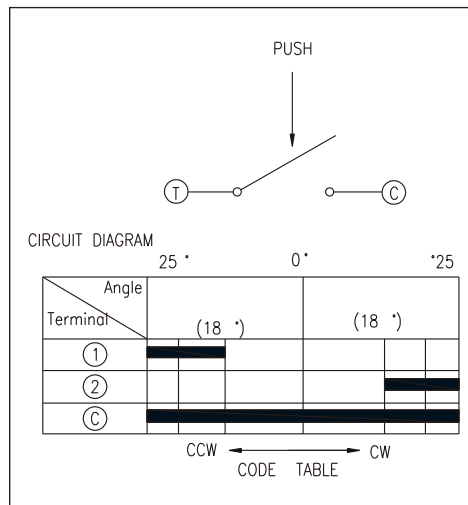
### SPECIFICATION

Contact Rating	10mA, 5V DC
Contact Resistance	100mΩ max.
Insulation Resistance	100MΩ min. 100V DC
Dielectric Strength	100V AC/1 minute
Operating Force	70±50gf, Lever(CW, CCW) 200±100gf, Center push
Operating Life	100,000 cycles
Operating Temp.	-10°C ~ +60°C
Storage Temp.	-30°C ~ +80°C

### HOW TO ORDER



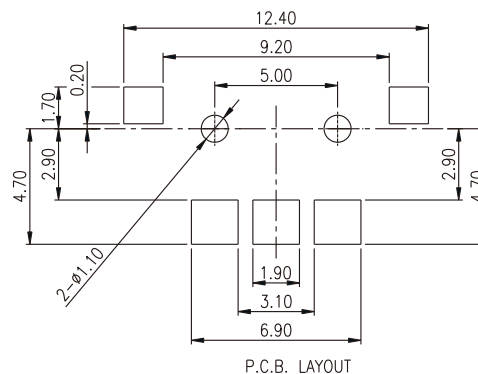
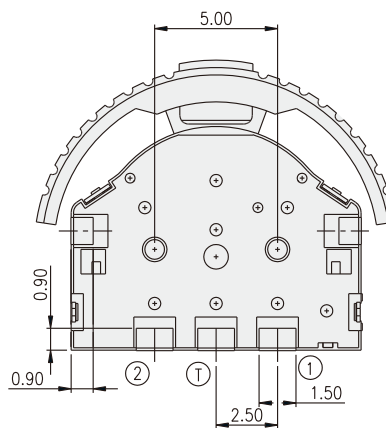
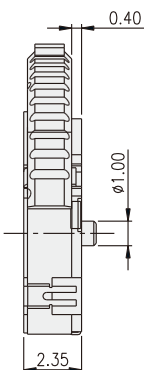
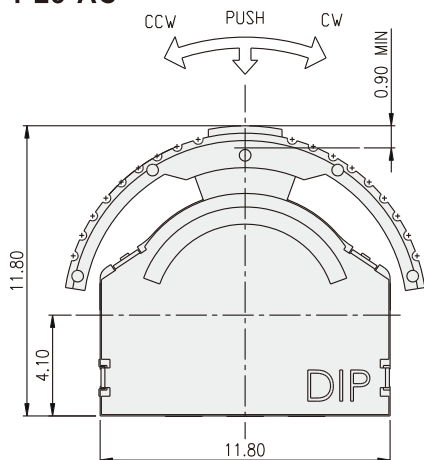
### CIRCUIT



### PACKAGE

<Tape & Reel>  
900 pcs

### PL3-AC



**PL3-BC**

